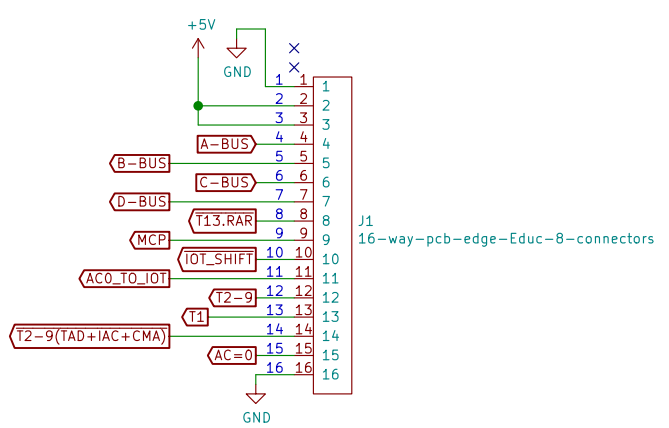
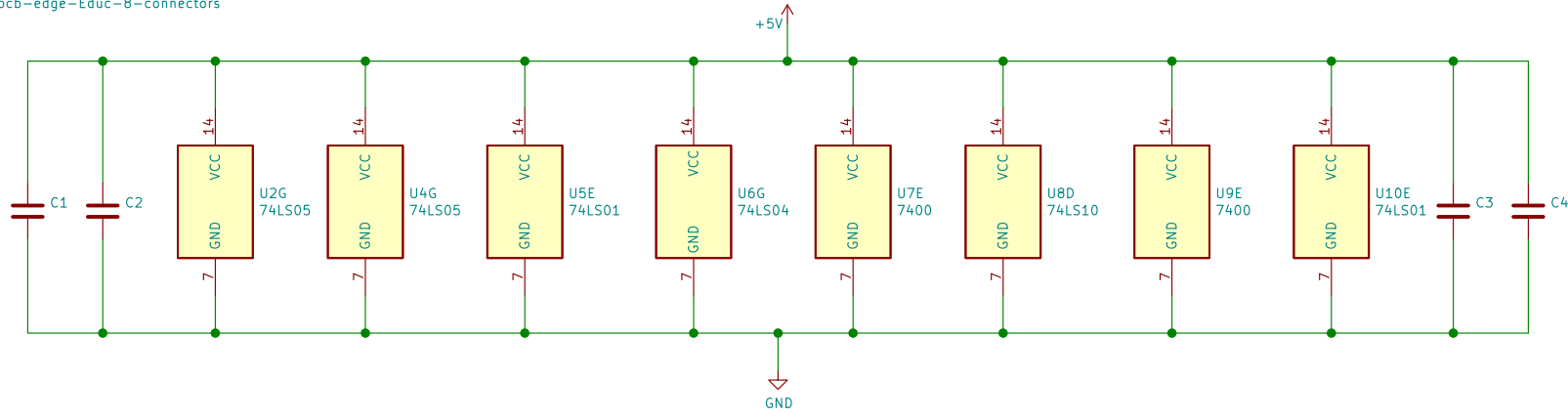
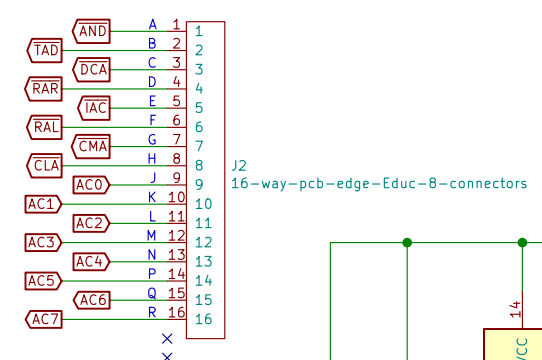
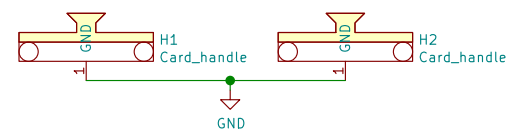
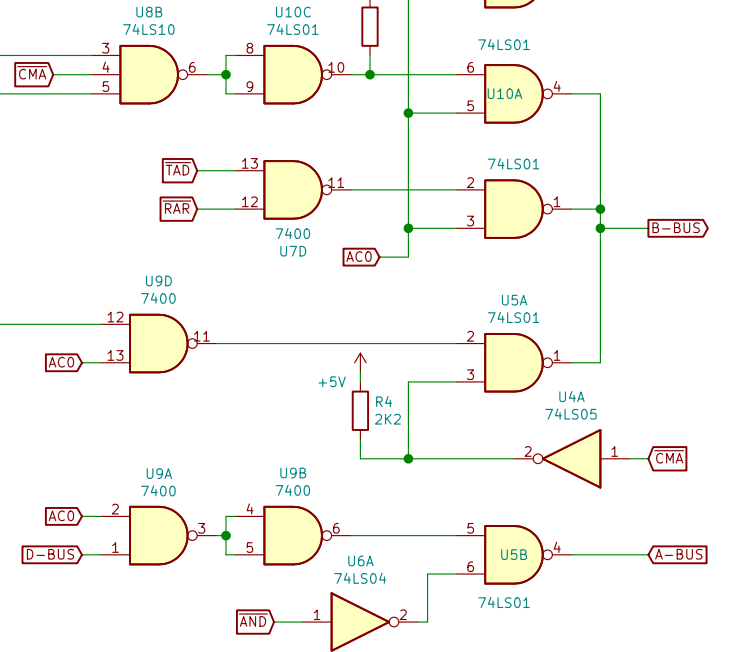


1. C-BUS not terminated on Accumulator board. Bus terminaing located in lower left quadrant of E8/C
2. Tie floating input gates to GND.
3. Add 0.1uf decoupling capacitor to the undersideof PCB between +5v and GND
4. J1 and J2 are card edge etched onto PCB
5. Numbers in blue refer to original EDUC-8 Card edge connection



Refdes	Part No	Description
U2B	7405	Hex inverter_OC
U4B	7405	Hex inverter_OC
U4C	7405	Hex inverter_OC
U6C	7404	Hex inverter
U5C	7401	Quad NAND_OC

Refdes	Part No	Description
U1	7495	shift register
U2	7405	Hex inverter_OC
U3	7495	shift register
U4	7405	Hex inverter_OC
U5	7401	Quad NAND_OC
U6	7404	Hex inverter
U7	7400	Quad NAND
U8	7410	Triple 3 input NAND
U9	7400	Quad NAND
U10	7401	Quad NAND_OC
R1	820R	1/4 watt resistor
R2	2K2	1/4 watt resistor
R3	2K2	1/4 watt resistor
R4	2K2	1/4 watt resistor
C1	0.47uF	Polyester capacitor
C2	0.47uF	Polyester capacitor
C3	0.47uF	Polyester capacitor
C4	0.47uF	Polyester capacitor



E8-A Accumulator

Sheet: /
File: Accumulator.sch

Title: EDUC-8A

Size: A3 Date: 2019-08-04 Rev: 1.0
KiCad E.D.A. eschema (5.1.6-0) Id: 1/1