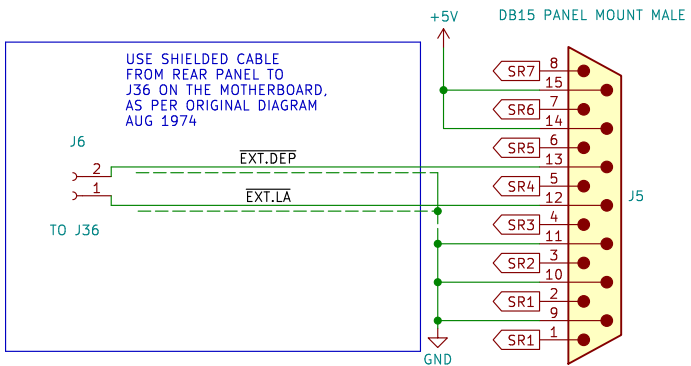


USE A MALE CONNECTOR AS THE ARDUINO UPLOADER PCB HAS A FEMALE SOCKET ON THE PCB TO PROTECT THE OUTPUTS



REAR PANEL CONNECTIONS

Sheet: /		File: rear panel wiring looms.kicad_sch	
Title:			
Size: A4	Date:	Rev:	
KiCad E.D.A. kicad 7.0.11		Id: 1/1	